



IMPORTANT

1. Always include complete heater model and serial number so that any specification change can be considered for parts shipment. It can save time and expense.
2. Specifications are subject to change without notice.
3. We reserve the right to substitute functional replacements.
4. Order either by Kit or Component Part No.



Replacement Parts

Form RZ-NA-P-X/XE/RX/RPV

Obsoletes Form RGM 705 (Version A)

APPLIES TO: Replacement Parts for Models listed in the Index including Models with prefix "C", "H", and "HC"

Index Reference by Page No.	Indoor		Outdoor				Indoor	Outdoor
	Duct Furnace	Packaged Systems	Duct Furnaces		Packaged Systems (Models discontinued as of 1990)		Unit Heaters (Obsolete)	Evaporative Cooler (Obsolete)
	X	XE/XJ	RX	RPV	RXE/RXJ	RPBE/RPVE/RPVJ/REB/REBJ	UA/XA/ XB*	RAM
Model Series Designations (including Models with prefix "C", "H", or "HC")								
Baffles (Heat Exchanger)	10	10	10	10	10	10	--	--
Blower	--	11	--	--	11	11	--	--
Burner Rack and Carryovers	8	8	8	8	8	8	8**	--
Cabinet Parts (Blower)	--	12	--	--	13	13	--	--
Cabinet Parts (Heater)	4	4	4	6	4	4, 6	--	28
Carryover Regulator	8	8	8	8	8	8	--	--
Condensate Drain Kit	27	27	27	27	--	--	--	--
Contactors	--	14	--	--	14	14	--	--
Damper and Damper Controls	--	20-21	--	--	20-21	20-21	--	--
Door Latch Kit	--	13	--	--	13	13	--	--
Downturn Plenum Cabinet	--	--	--	--	20	20	--	--
Drives	--	19	--	--	19	19	--	--
Electrical Components	22-25	22-25	22-25	22-25	22-25	22-25	--	28
Fan Blades	--	--	--	--	--	--	18	--
Fill & Drain Kits (Option CT)	--	--	--	--	--	--	--	28
Filters and Filter Racks	--	12	--	--	13	13	--	28
Firestat	--	23	--	--	23	23	--	--
Flue Restrictors	--	--	6	--	6	6	--	--
Freezestat	--	24	--	--	24	24	--	--
Heat Exchanger	10	10	10	10	10	10	--	--
Limit Controls & Shields	22	22	22	22	22	22	--	--
Manifolds	8	8	8	8	8	8	--	--
Motors (Blower or Fan)	--	14-16	--	--	16-18	16-18	18	--
Pilots	26	26	26	27	26	26-27	26	--
Pressure Switch (air proving)	--	--	24	24	24	24	--	--
Pressure Switch (combustion air)	--	--	--	7, 22	--	7, 22	--	--
Pressure Switch (dirty filter)	--	24	--	--	24	24	--	--
Pressure Switch (gas)	23	23	23	23	23	23	--	--
Relays	23-24	23-24	23-24	23-24	23-24	23-24	23-24	--
Remote Console (Option RC)	25	25	25	25	25	25	--	--
Serial Number Designation	2	2	2	2	2	2	2	--
Starters & Starter Heaters	--	14-16	--	--	16-18	16-18	--	--
Switch, Blocked Vent	22	22	--	--	--	--	--	--
Switches, Disconnect & Toggle	25	25	25	25	25	25	25	--
Tape for Curbs	--	--	27	27	27	27	--	--
Transformer	24	24	24	24	24	24	--	--
***Valves (Shutoff)	8	8	8	8	8	8	8	--
Venters	--	--	--	6	--	6	--	--
Vertical Vent Kit (Option CC3)	--	--	--	6	--	6	--	--
Weatherhood (Outside air hood)	--	--	--	--	20	20	--	--
Z-Baffles (Option ZZ)	--	--	4-5	--	4-5	--	--	--

* Replacement parts for obsolete unit heaters are limited. Cabinet parts are not available. ** Not available for Model UA.

REFERENCES:

Replacement Parts and Service Forms, Form RZ-NA

P-PILOTS, Pilots

P-STATS, Thermostats and Accessories

P-GC, Gas Conversion

P-LTR-TUBES, Burner Rack Carryover and Lighter Tubes

P-RG/RP/RBL, Parts for Model Series RG and RP

P-FAN-LIMIT, Fan and Limit Controls

***P-VALVES, Serial Nos., Gas Valves, Ignition Controllers, and Maxitrol Gas Controls

P-VENTER, Power Venter for Model Series X and XE

737, Parts for Model PAK

CP-X-CONV, Convert Model Series X and RX with G19 or T32 to G770

CP-RPV-CONV, Convert Model Series RPV with G29 to G770

CP-RPV-PS, Pressure Switch Kit for Model Series RPV

CP-X/SC-IGN, Convert Model Series X and RX with G60 to G770

CP-EEDU/RPV/XLB-IGN, Convert Model Series RPV with G60 to G770

Installation/Operation Forms for currently manufactured Models, Form RZ-NA

I-OUTDOOR-DUCT, Models RX and RPV

I-XE/RGB/RPB, Model XE

I-X, Model X

Adapter Backs for Blowers and Blowers

Code	Component Description	75, 100, 125	150, 175	200, 225	250, 300	350	400
115	Blower Adapter Back Assembly	193986	194054	194093	193988	194063	194064
116	Blower Adapter Top & Bottom	(2)53277	--	--	--	--	--
117	Blower Adapter Sides	(2)53278	--	--	--	--	--
118	Left Corner Support Filler	53279	--	--	--	--	--
119	Right Corner Support Filler	53280	--	--	--	--	--

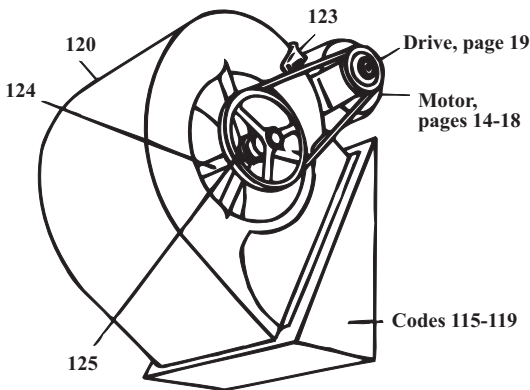
Code	Component Description	75, 100, 125	150, 175, 200, 225	250, 300	350, 400
120	Blower including Housing, Wheel, Shaft and Bearings	1357	1360	--	--
121	Blower with motor bracket (includes housing and wheel only)	--	--	24230	24232
122	Blower Housing and Wheel only	--	--	24229	24231
123	Blower Motor Mounting Bracket	Less than 1-1/2 HP	44409	44410	44409
124	Blower Shaft	11302 3/4 x 22	11303 1 x 22	10120 1 x 39-1/4	10121 1 x 44-5/8
125	Blower Bearings	(2)	7310	10437	10437
126	Motor Adjustment Bracket Assembly		44411	44411	44411
126A	Hex Head Bolt 5/16 -18 x 4" for Code 226		14668	14668	14668
127	Hardware Bag		64940	64940	64940
128	Motor Mounting Plate	1-1/2 HP Motor and Larger	12578	12578	12578
129	Left Mounting Plate Support		12576	12576	12576
130	Right Mounting Plate Support		12577	12577	12577
131	Rod Bolt for Motor Mounting Plate Assembly		12489	12489	12489
132	Blower Key, P/N 19361				

Contactors and Starters - See pages 14 - 18.

Motors - See pages 14 - 18.

Drive Components - See page 19.

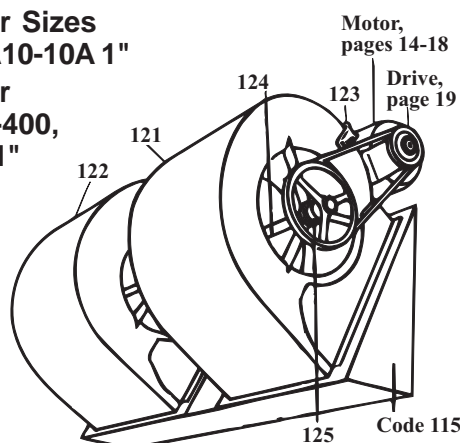
Blower for Sizes 75-225, A10-10AC 3/4"



NOTE: Blower adapter backs for Sizes 50 through 100 manufactured prior to 1980 are no longer available.

Blowers for Sizes 250-300, 2A10-10A 1"

Blowers for Sizes 350-400, 2A12-12A 1"



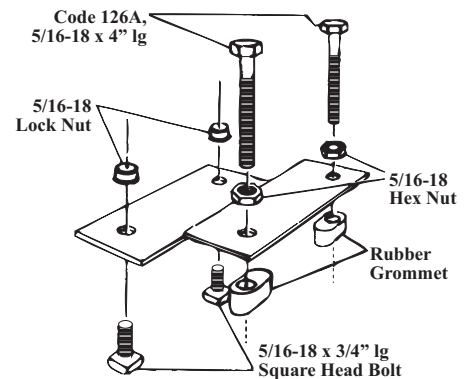
Code 123 - Motor Mounting Bracket

For motors less than 1-1/2HP (for larger motors, see Codes 128-131)

P/N 44409 for 14" plate, 10" wheel
P/N 44410 for 16" plate, 12" wheel



Code 126 - Motor Adjustment Bracket Assembly for Motors less than 1-1/2HP



Code 127 - Replacement Hardware for Motor Adjustment Bracket Assembly, Code 126



Codes 128 - 132 Motor Mounting Plate for Motors 1-1/2 HP and larger

